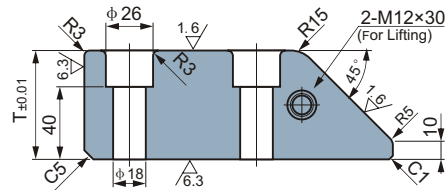
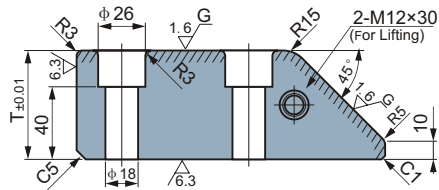
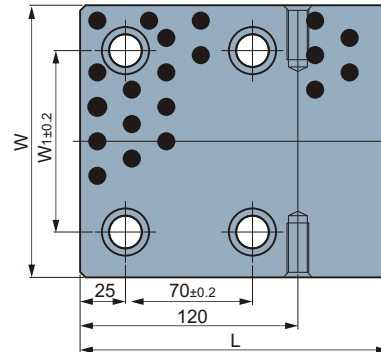
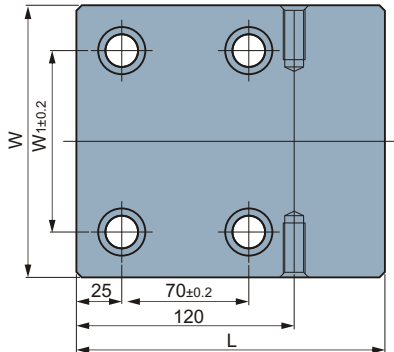
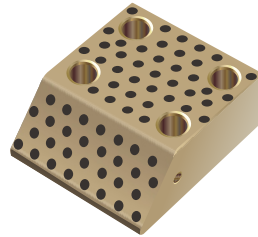


JSPQ, JSPQS Cam Stroke Plate

JSPQS	S45C + Graphite
	HRC ≥ 55
JSPQ	650# + Graphite



Sliding directions

Standard No.	W	L	T	W ₁
JSPQ/JSPQS-150×170	150	170	60	100
JSPQ/JSPQS-150×200		200	90	
JSPQ/JSPQS-200×170	200	170	60	140
JSPQ/JSPQS-200×200		200	90	