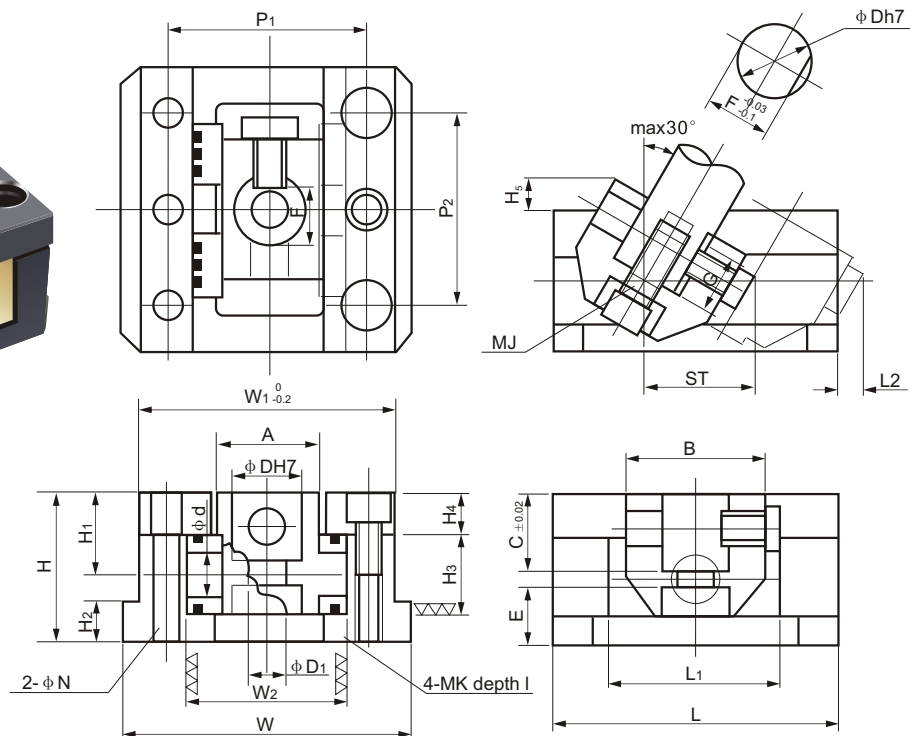


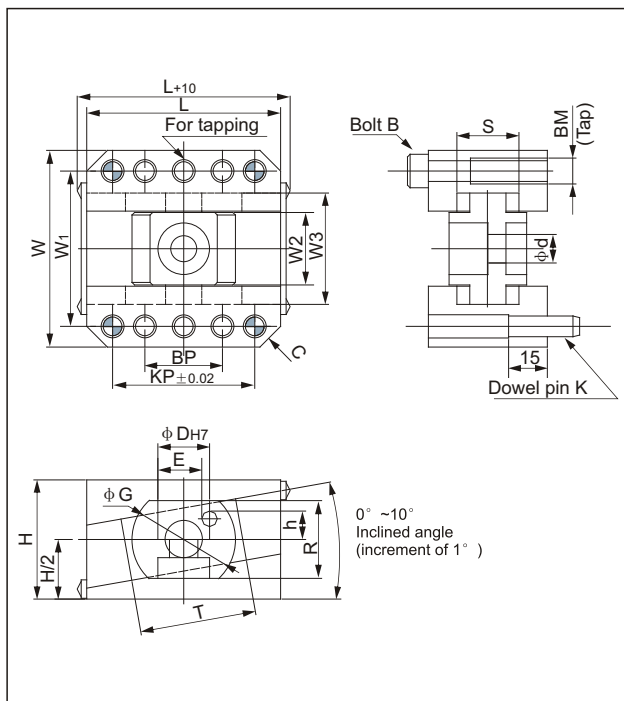
# JOCU-S Oilless Unit Parts



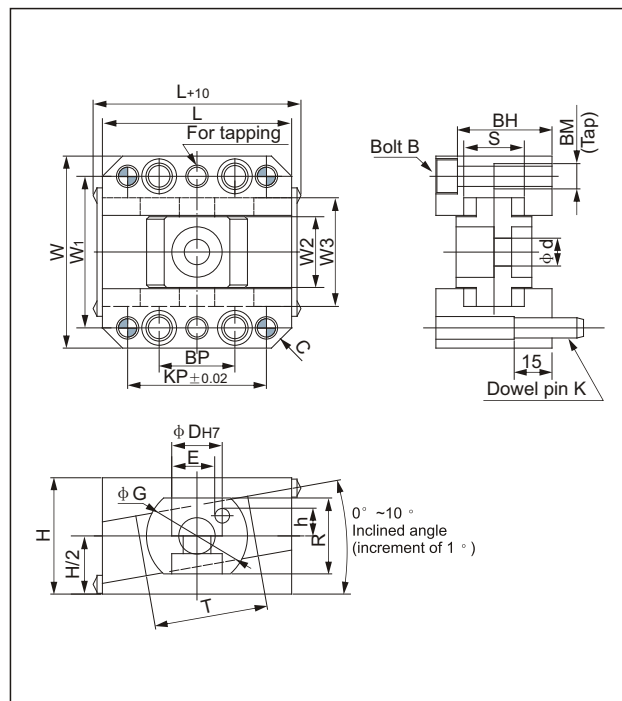
Standard No.	$\phi D$	$\phi d$	$\phi D_1$	A	B	C	E	F	G	MJ	H	H <sub>1</sub>	H <sub>2</sub>	H <sub>3</sub>	H <sub>4</sub>
JOCU-S-8	8	7	4.5	11	20	8	10	7	8	M4	22	12.5	5	11	7
JOCU-S-10	10	7	5.5	15	25	10	12.5	9	9	M5	27	15.5	5	15	8
JOCU-S-12	12	10	7	17	25	12	15	11	10	M6	32	18	7	16	10
JOCU-S-16	16	12	9	22	30	16	15	14.5	12	M8	36	20	8	20	10
JOCU-S-20	20	14	11	26	40	20	16	18	16	M10	42	23	11	22	12
JOCU-S-25	25	16	14	32	45	25	17	22.5	20	M12	50	28	15	26	15
JOCU-S-30	30	18	14	38	50	30	17	27	25	M12	55	30	15	30	15
JOCU-S-35	35	20	14	45	60	35	18	32	30	M12	62	35	15	34	18
JOCU-S-40	40	25	18	55	70	40	19	36	35	M16	70	40	15	44	18
JOCU-S-45	45	30	18	60	80	45	24	40	40	M16	80	45	15	50	20

Standard No.	H <sub>5</sub>	L	L <sub>1</sub>	L <sub>2</sub>	W	W <sub>1</sub>	W <sub>2</sub>	P <sub>1</sub>	P <sub>2</sub>	MK	I	$\phi N$	ST
JOCU-S-8	10.5	32	20	3.6	33	30	19	24	20	M3	9.5	3	10
JOCU-S-10	11.3	45	25	4.5	45	40	25	32	30	M4	14	4	18
JOCU-S-12	4	50	30	8	57	51	31	39	35	M6	14	6	20
JOCU-S-16	5	65	40	8	65	58	38	46	40	M6	16	6	25
JOCU-S-20	8	80	50	8	80	72	44	56	55	M8	19	8	30
JOCU-S-25	8	90	55	12	93	85	52	66	65	M10	22	10	35
JOCU-S-30	9	100	60	12	101	93	60	74	70	M10	25	10	40
JOCU-S-35	10	120	75	8	120	110	70	85	80	M12	27	10	45
JOCU-S-40	12	135	85	8	130	120	80	95	90	M12	30	10	50
JOCU-S-45	14	150	95	10	140	130	90	105	110	M12	35	10	55

# JOCU-FC/JOCU-F Oilless Unit Parts



**JOCU-FC**

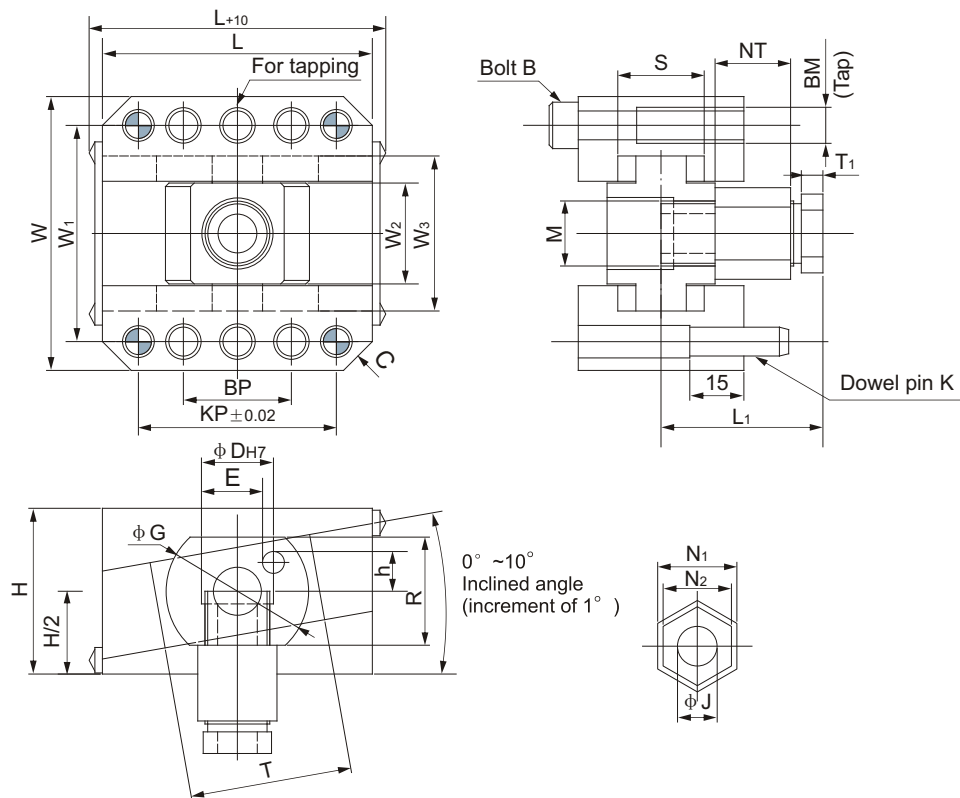


**JOCU-F**

Standard No.	D (pin diameter)	W	L	H	W <sub>1</sub>	BP	B (Accessory)	KP	k	BM	E	h	C	T	d	W <sub>2</sub>	W <sub>3</sub>	G	R	S
JOCU-FC-8	8	41	44	24	33	12	M3×30	25	φ4×25	M4	7.5	6.5	3	25	5	12	24	20	16	13
JOCU-FC-10	10	47	50	28	38	16	M4×35	30	φ5×25	M5	8.5	6.5	3	32	6	14	28	20	16	17
JOCU-FC-12	12	53	60	36	42	20	M6×50	40	φ6×25	M8	10	8	4	40	7	17	31	25	20	20
JOCU-FC-25	25	75	85	48	62	40	M8×65	65	φ8×30	M10	22	14	8	50	14	33	48	45	35	26
JOCU-FC-30	30	81	100	54	68	50	M8×70	80	φ8×30	M10	27	15	8	60	14	38	55	50	38	30
JOCU-FC-35	35	100	115	60	80	50	M10×80	85	φ10×30	M12	31	15	8	70	14	44	64	55	40	34
JOCU-FC-40	40	108	125	65	88	50	M10×85	85	φ10×30	M12	36	16	8	80	18	50	72	60	43	38

Standard No.	D (pin diameter)	W	L	H	W <sub>1</sub>	BP	B (Accessory)	KP	k	BM	BH	E	h	C	T	d	W <sub>2</sub>	W <sub>3</sub>	G	R	S
JOCU-F-16	16	64	70	40	50	25	M6×45	50	φ6×25	M8	33.5	13	10	6	45	9	21	36	30	24	24
JOCU-F-20	20	76	75	46	60	30	M8×55	55	φ8×30	M10	37.5	17	13	8	45	11	28	43	40	30	24
JOCU-F-25	25	81	85	48	65	40	M8×55	65	φ8×30	M10	39.5	22	14	8	50	14	33	48	45	35	26
JOCU-F-30	30	88	100	54	72	50	M8×60	80	φ8×30	M10	45.5	27	15	8	60	14	38	55	50	38	30

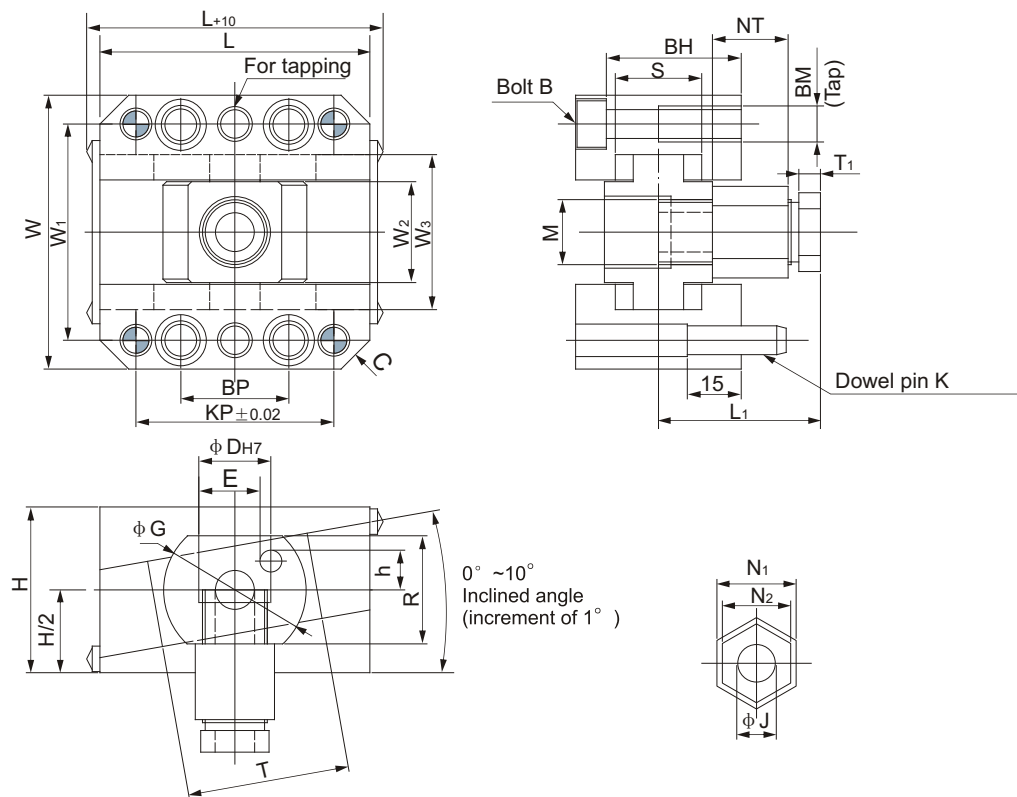
# JOCU-MC Oilless Unit Parts



Standard No.	D (pin diameter)	W	L	H	W <sub>1</sub>	BP	B (Accessory)	KP	k	BM	E	h
JOCU-MC-25	25	75	85	48	62	40	M8×65	65	φ 8×30	M10	22	14
JOCU-MC-30	30	81	100	54	68	50	M8×70	80	φ 8×30	M10	27	15
JOCU-MC-35	35	100	115	60	80	50	M10×80	85	φ 10×30	M12	31	15
JOCU-MC-40	40	108	125	65	88	50	M10×85	85	φ 10×30	M12	36	16

Standard No.	C	T	N <sub>1</sub>	N <sub>2</sub>	NT	J	W <sub>2</sub>	W <sub>3</sub>	G	R	S	L <sub>1</sub>	T <sub>1</sub>	M×Pitch
JOCU-MC-25	8	50	27	22	21.5	13	33	48	45	35	26	49	7	M22×P1.5
JOCU-MC-30	8	60	32	27	26	13	38	55	50	38	30	55	7	M27×P1.5
JOCU-MC-35	8	70	36	32	28	13	44	64	55	40	34	58	7	M30×P1.5
JOCU-MC-40	8	80	41	38	29	17	50	72	60	43	38	60.5	7	M36×P1.5

# JOCU-M Oilless Unit Parts



Standard No.	D (pin diameter)	W	L	H	W <sub>1</sub>	BP	B (Accessory)	KP	k	BM	BH	E
JOCU-M-16	16	64	70	40	50	25	M6×45	50	φ6×25	M8	33.5	13
JOCU-M-20	20	76	75	46	60	30	M8×55	55	φ8×30	M10	37.5	17
JOCU-M-25	25	81	85	48	65	40	M8×55	65	φ8×30	M10	39.5	22
JOCU-M-30	30	88	100	54	72	50	M8×60	80	φ8×30	M10	45.5	27

Standard No.	h	C	T	N <sub>1</sub>	N <sub>2</sub>	NT	J	W <sub>2</sub>	W <sub>3</sub>	G	R	S	L <sub>1</sub>	T <sub>1</sub>	M×Pitch
JOCU-M-16	10	6	45	17	14	21	9	21	36	30	24	24	42	6	M14×P1.5
JOCU-M-20	13	8	45	22	19	21	11	28	43	40	30	24	45	6	M18×P1.5
JOCU-M-25	14	8	50	27	22	21.5	13	33	48	45	35	26	49	7	M22×P1.5
JOCU-M-30	15	8	60	32	27	26	13	38	55	50	38	30	55	7	M27×P1.5